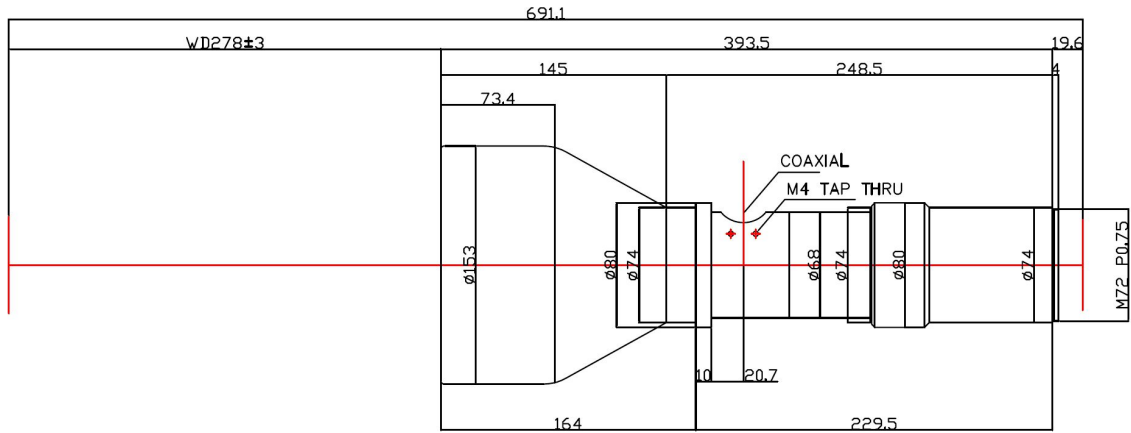


# TL8K-0467-278C



The lens Lensagon TL8K-0467-278C is suitable for sensors below 1 megapixel with an image format of .

## Technical Data

Art.Gr.	TLSC
Magnification	0.467 X
Working Distance (WD)	278 mm
Depth of Field (DOF)	1066 µm @CoC µm
Resolution (Object Side)	12 µm
Image Format (max.)	8K (7µm)
Working F-Number	8.3
Numerical Aperture (NA)	0.028
Field of View (FOV)	122 mm @ 8K(7µm)Line
Telecentric Type	Object Side
Telecentricity	0.03 °
Optical Distortion (max.)	0.04 %
Mount Type	M72

