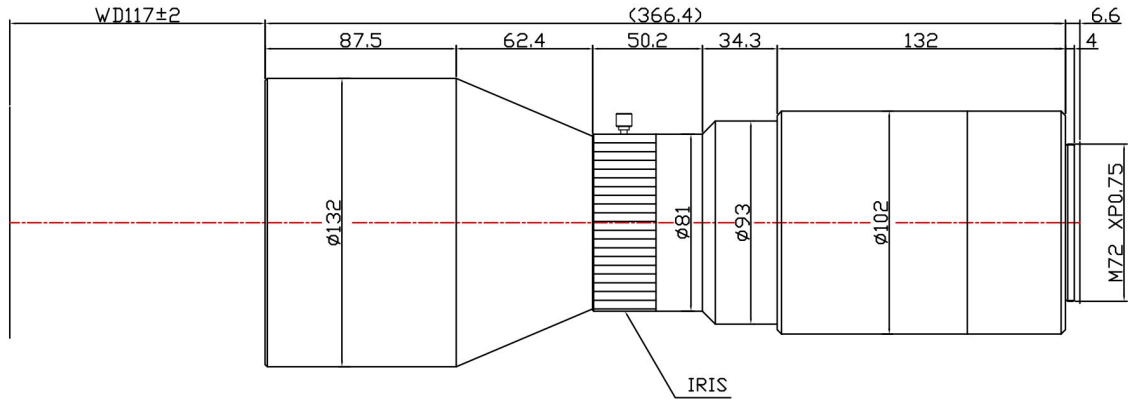


TL12K-07-117I



The Object Side Telecentric Lens TL12K-07-117I is suitable for sensors with an image format of 12K (5 μ m).

Technical Data

Magnification	0.7 X
Mount Type	M72
Aperture (F)	8
Working Distance (WD)	117
Depth of Field (DOF)	326 μ m
Resolution (Object Side)	7.7 μ m
Numerical Aperture (NA)	0.0437
Image Format (max.)	12K (5 μ m)
Field of View (FOV)	87.8mm@12K Line CCD
Telecentric Type	Object Side
Telecentricity	0.07 °
Optical Distortion (max.)	0.04 %
Special Feature	Linescan

