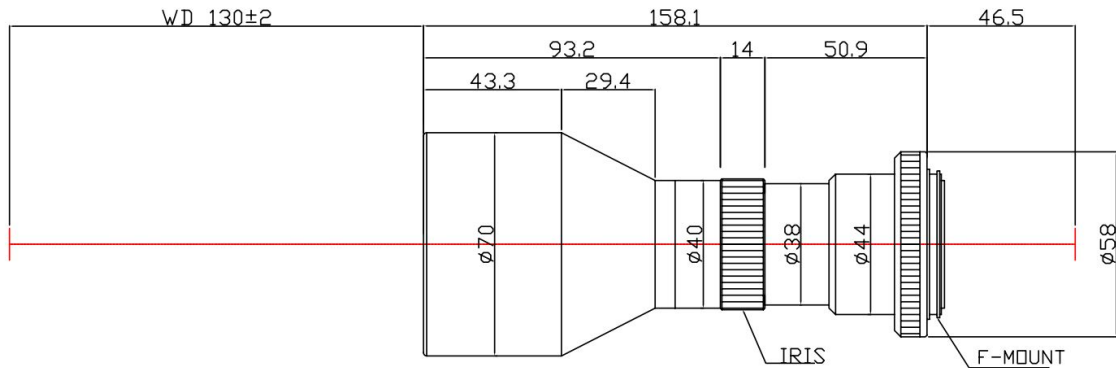


TF8MHR-064-130I



The Object Side Telecentric Lens TF8MHR-064-130I is suitable for sensors up to 8 megapixel and with an image format of 23mm (diagonal).

Technical Data

Art.Gr.	TEL
Magnification	0.64 X
Working Distance (WD)	130 mm
Depth of Field (DOF)	597 µm @CoC 22 µm
Resolution (Object Side)	5.8 µm
Image Format (max.)	23mm (diagonal)
Megapixel (max.)	8 MP
Working F-Number	5.56
Numerical Aperture (NA)	0.0576
Field of View (FOV)	28.28mm x 21.31mm
Telecentric Type	Object Side
Telecentricity	0.02 °
Optical Distortion (max.)	0.06 %
Mount Type	F-Mount

