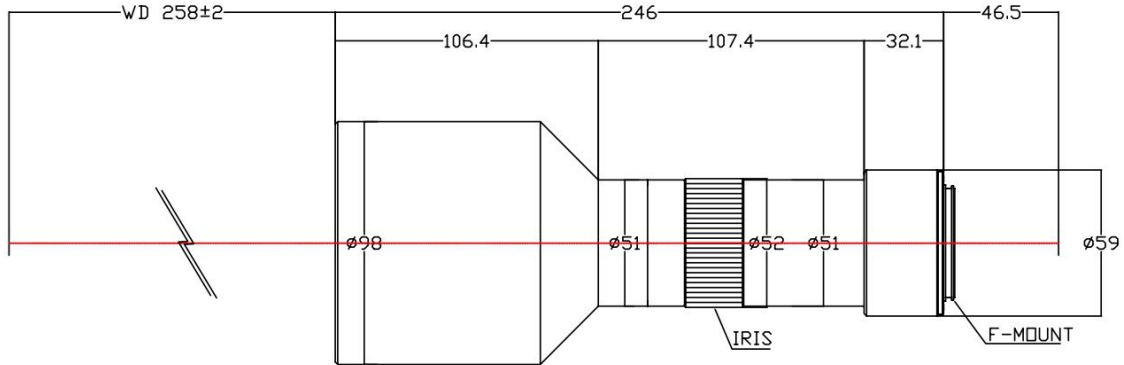


# TF8MHR-06-258I



The Object Side Telecentric Lens TF8MHR-06-258I is suitable for sensors up to 8 megapixel and with an image format of 23mm (diagonal).

## Technical Data

Art.Gr.	TEL
Magnification	0.6 X
Working Distance (WD)	258 mm
Depth of Field (DOF)	611 $\mu\text{m}$ @CoC 22 $\mu\text{m}$
Resolution (Object Side)	6 $\mu\text{m}$
Image Format (max.)	23mm (diagonal)
Megapixel (max.)	8 MP
Working F-Number	5
Numerical Aperture (NA)	0.06
Field of View (FOV)	30.2mm x 22.7mm
Telecentric Type	Object Side
Telecentricity	0.03 °
Optical Distortion (max.)	0.08 %
Mount Type	F-Mount

