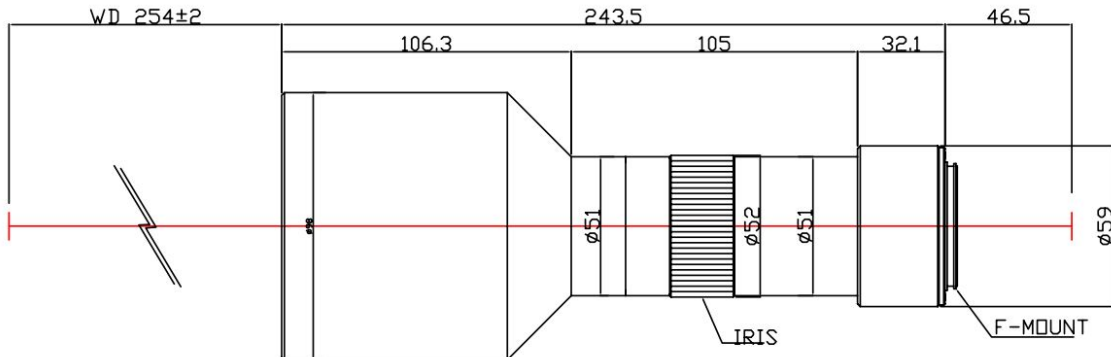


TF8MHR-058-254I



The Object Side Telecentric Lens TF8MHR-058-254I is suitable for sensors up to 8 megapixel and with an image format of 23mm (diagonal).

Technical Data

Art.Gr.	TEL
Magnification	0.58 X
Working Distance (WD)	254 mm
Depth of Field (DOF)	654 µm @CoC 22 µm
Resolution (Object Side)	5.8 µm
Image Format (max.)	23mm (diagonal)
Megapixel (max.)	8 MP
Working F-Number	5
Numerical Aperture (NA)	0.058
Field of View (FOV)	31.3mm x 23.4mm
Telecentric Type	Object Side
Telecentricity	0.03 °
Optical Distortion (max.)	0.08 %
Mount Type	F-Mount

