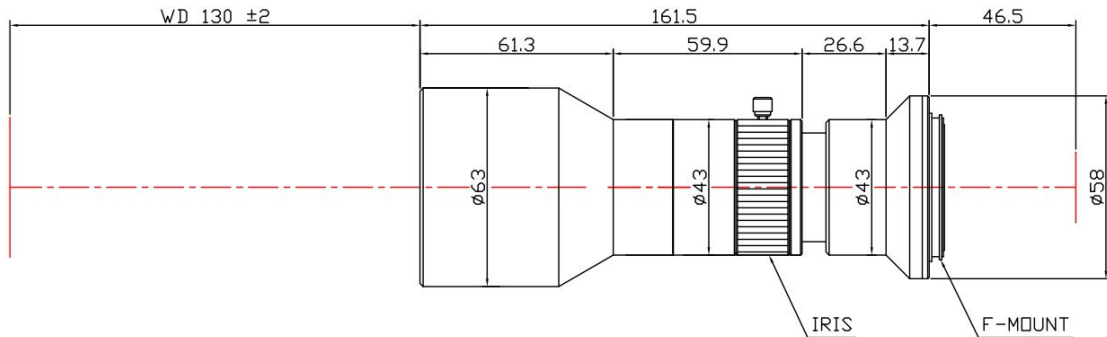


# TF8MHR-05-130I



The Object Side Telecentric Lens TF8MHR-05-130I is suitable for sensors up to 8 megapixel and with an image format of 23mm (diagonal).

## Technical Data

Art.Gr.	TEL
Magnification	0.5 X
Working Distance (WD)	130 mm
Depth of Field (DOF)	1200 $\mu\text{m}$ @CoC 22 $\mu\text{m}$
Resolution (Object Side)	9.4 $\mu\text{m}$
Image Format (max.)	23mm (diagonal)
Megapixel (max.)	8 MP
Working F-Number	7
Numerical Aperture (NA)	0.0357
Field of View (FOV)	36.3mm x 27.2mm
Telecentric Type	Object Side
Telecentricity	0.03 °
Optical Distortion (max.)	0.05 %
Mount Type	F-Mount

