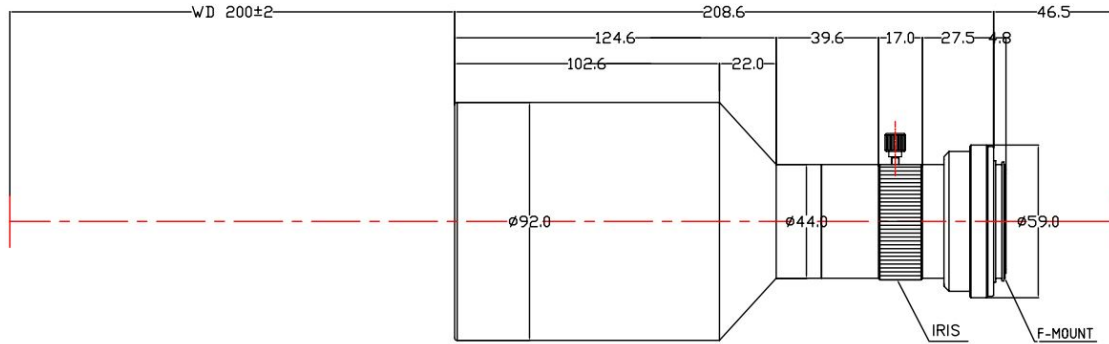


TF8MHR-0348-200I



The Object Side Telecentric Lens TF8MHR-0348-200I is suitable for sensors up to 8 megapixel and with an image format of 23mm (diagonal).

Technical Data

Art.Gr.	TEL
Magnification	0.348 X
Working Distance (WD)	200 mm
Depth of Field (DOF)	2200 μm @CoC 22 μm
Resolution (Object Side)	12 μm
Image Format (max.)	23mm (diagonal)
Megapixel (max.)	8 MP
Working F-Number	6
Numerical Aperture (NA)	0.0289
Field of View (FOV)	50.1mm x 39.1mm
Telecentric Type	Object Side
Telecentricity	0.03 °
Optical Distortion (max.)	0.02 %
Mount Type	F-Mount

