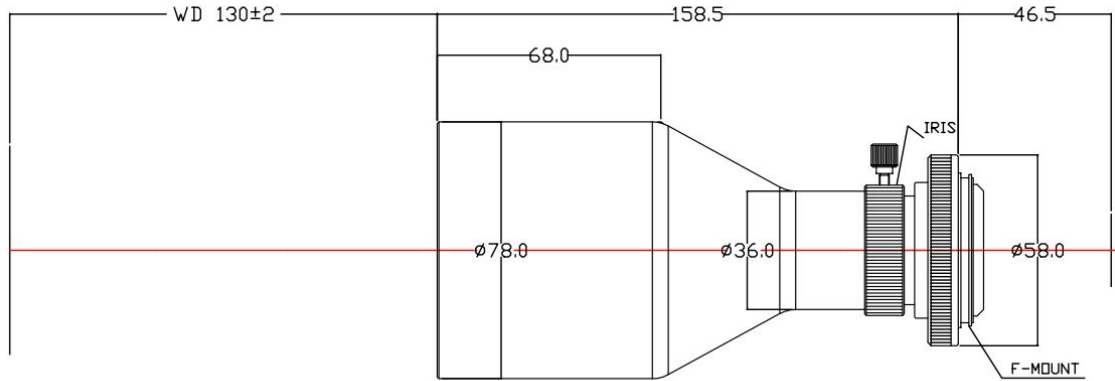


# TF8MHR-0348-130I



The Object Side Telecentric Lens TF8MHR-0348-130I is suitable for sensors up to 8 megapixel and with an image format of 23mm (diagonal).

## Technical Data

|                           |  |
|---------------------------|--|
| Art.Gr.                   | TEL                                      |
| Magnification             | 0.348 X                                  |
| Working Distance (WD)     | 130 mm                                   |
| Depth of Field (DOF)      | 2300 $\mu\text{m}$ @CoC 22 $\mu\text{m}$ |
| Resolution (Object Side)  | 12.1 $\mu\text{m}$                       |
| Image Format (max.)       | 23mm (diagonal)                          |
| Megapixel (max.)          | 8 MP                                     |
| Working F-Number          | 6.25                                     |
| Numerical Aperture (NA)   | 0.0278                                   |
| Field of View (FOV)       | 52.1mm x 39.1mm                          |
| Telecentric Type          | Object Side                              |
| Telecentricity            | 0.03 °                                   |
| Optical Distortion (max.) | 0.04 %                                   |
| Mount Type                | F-Mount                                  |

