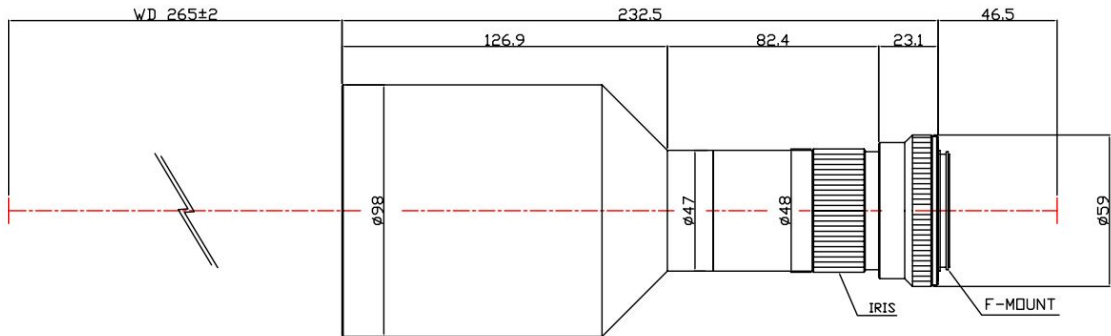


TF8MHR-0318-265I



The Object Side Telecentric Lens TF8MHR-0318-265I is suitable for sensors up to 8 megapixel and with an image format of 23mm (diagonal).

Technical Data

Art.Gr.	TEL
Magnification	0.318 X
Working Distance (WD)	265 mm
Depth of Field (DOF)	2200 μm @CoC 22 μm
Resolution (Object Side)	10.5 μm
Image Format (max.)	23mm (diagonal)
Megapixel (max.)	8 MP
Working F-Number	5
Numerical Aperture (NA)	0.0318
Field of View (FOV)	57.0mm x 42.7mm
Telecentric Type	Object Side
Telecentricity	0.03 °
Optical Distortion (max.)	0.08 %
Mount Type	F-Mount

