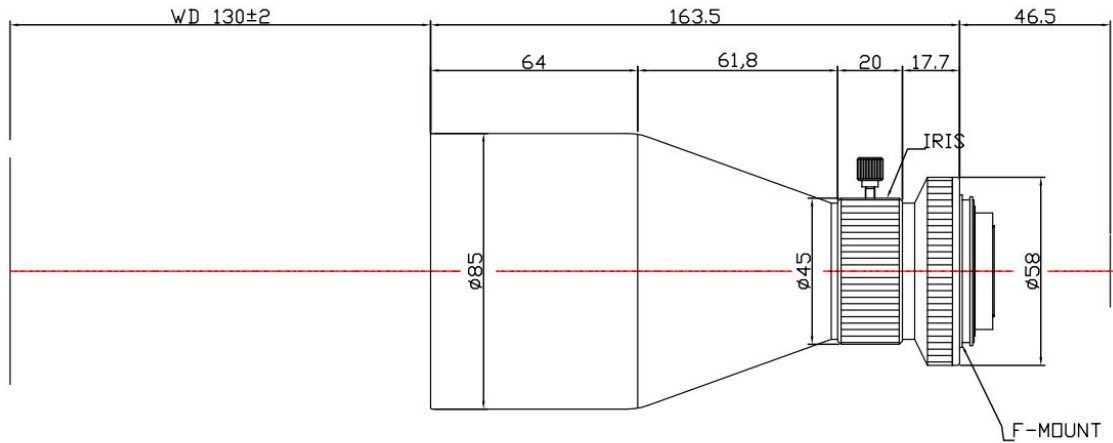


TF8MHR-0315-130I



The Object Side Telecentric Lens TF8MHR-0315-130I is suitable for sensors up to 8 megapixel and with an image format of 23mm (diagonal).

Technical Data

Art.Gr.	TEL
Magnification	0.315 X
Working Distance (WD)	130 mm
Depth of Field (DOF)	2800 μm @CoC 22 μm
Resolution (Object Side)	13.3 μm
Image Format (max.)	23mm (diagonal)
Megapixel (max.)	8 MP
Working F-Number	6.25
Numerical Aperture (NA)	0.0252
Field of View (FOV)	57.5mm x 43.2mm
Telecentric Type	Object Side
Telecentricity	0.03 °
Optical Distortion (max.)	0.03 %
Mount Type	F-Mount

