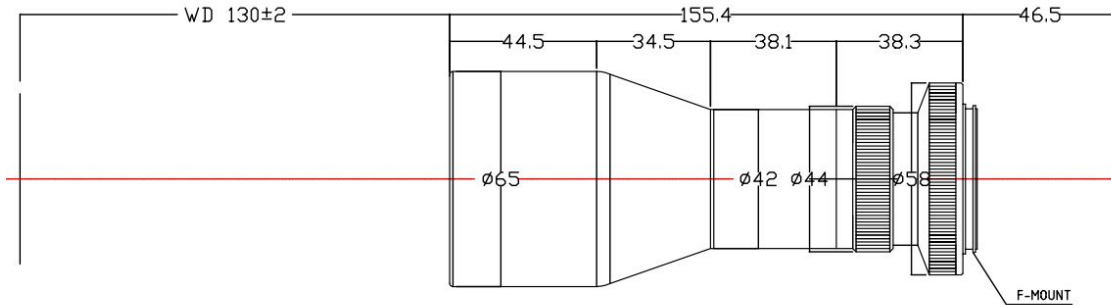


# TF8M-042-130I



The Object Side Telecentric Lens TF8M-042-130I is suitable for sensors up to 8 megapixel and with an image format of 23mm (diagonal).

## Technical Data

Art.Gr.	TEL
Magnification	0.42 X
Working Distance (WD)	130 mm
Depth of Field (DOF)	2500 µm @CoC 22 µm
Resolution (Object Side)	16 µm
Image Format (max.)	23mm (diagonal)
Megapixel (max.)	8 MP
Working F-Number	10
Numerical Aperture (NA)	0.021
Field of View (FOV)	43.2mm x 32.4mm
Telecentric Type	Object Side
Telecentricity	0.023 °
Optical Distortion (max.)	0.1 %
Mount Type	F-Mount

