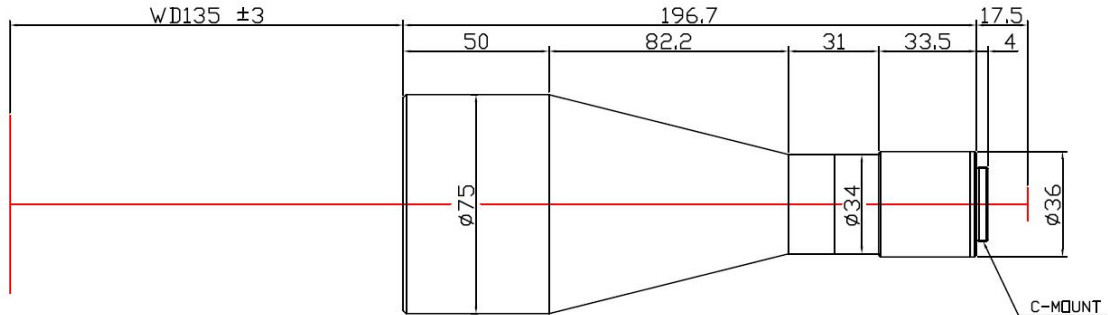


TDC-0184-135



The Double Side Telecentric Lens TDC-0184-135 is suitable for sensors with an image format of 2/3 inch.

Technical Data

Art.Gr.	TEL
Magnification	0.184 X
Working Distance (WD)	135 mm
Depth of Field (DOF)	17700 µm @CoC 40 µm
Resolution (Object Side)	27 µm
Image Format (max.)	2/3 inch
Working F-Number	7.5
Numerical Aperture (NA)	0.0122
Field of View (FOV)	47.82mm x 35.86mm @2/3"
Telecentric Type	Double Side
Telecentricity	0.04 °
Optical Distortion (max.)	0.04 %
Mount Type	C-Mount

