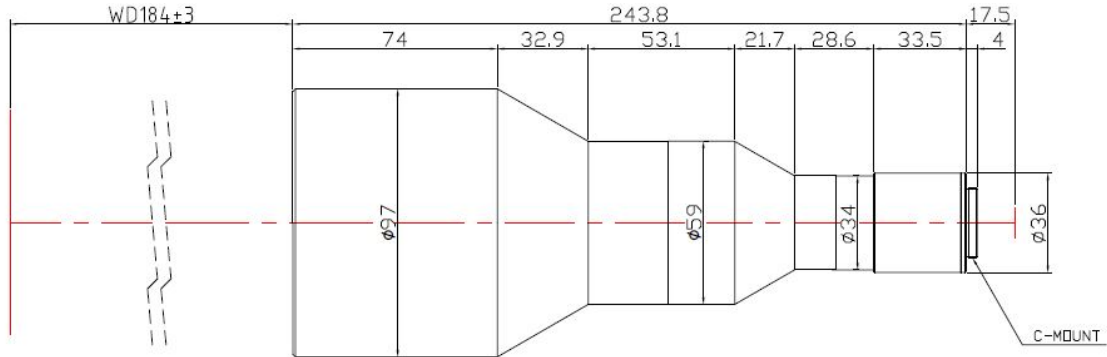


TDC-0138-184



The Double Side Telecentric Lens TDC-0138-184 is suitable for sensors with an image format of 2/3 inch.

Technical Data

Art.Gr.	TEL
Magnification	0.138 X
Working Distance (WD)	184 mm
Depth of Field (DOF)	30700 μm @CoC 40 μm
Resolution (Object Side)	36 μm
Image Format (max.)	2/3 inch
Working F-Number	7.3
Numerical Aperture (NA)	0.0094
Field of View (FOV)	63.76mm x 47.82mm @2/3"
Telecentric Type	Double Side
Telecentricity	0.05 °
Optical Distortion (max.)	0.05 %
Mount Type	C-Mount

