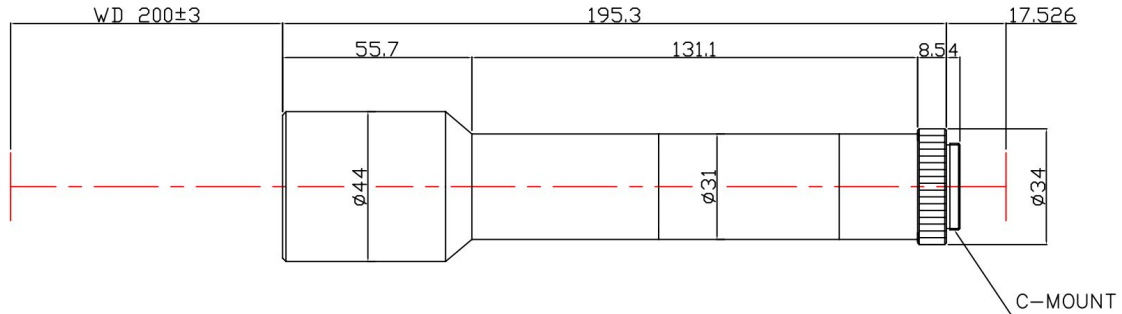


TCST-40-200



The Object Side Telecentric Lens TCST-40-200 is suitable for sensors with an image format of 1/2 inch.

Technical Data

Art.Gr.	TEL
Magnification	4 X
Working Distance (WD)	200 mm
Depth of Field (DOF)	125 μm @CoC 40 μm
Resolution (Object Side)	4.2 μm
Image Format (max.)	1/2 inch
Working F-Number	25
Numerical Aperture (NA)	0.08
Field of View (FOV)	1.6mm x 1.2mm @ /2"
Telecentric Type	Object Side
Telecentricity	0.015 °
Optical Distortion (max.)	0.13 %
Mount Type	C-Mount

