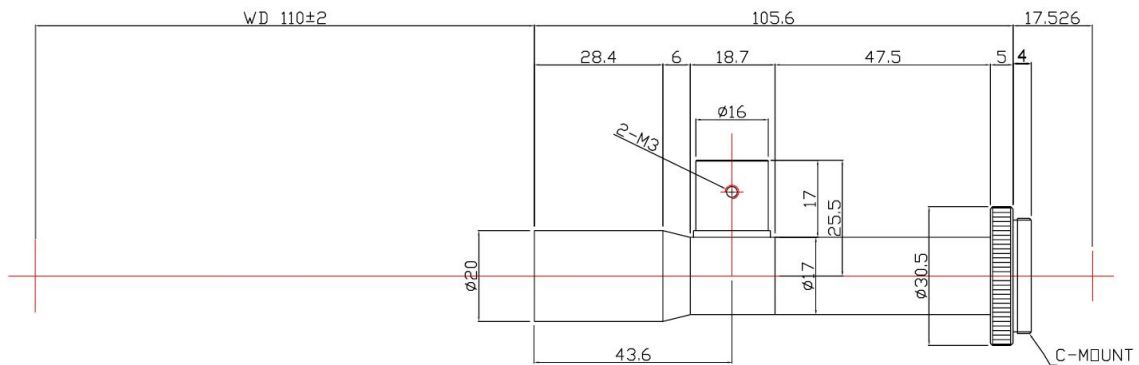


TCST-40-110C



The Object Side Telecentric Lens TCST-40-110C is suitable for sensors with an image format of 1/2 inch.

Technical Data

Art.Gr.	TEL
Magnification	4 X
Working Distance (WD)	110 mm
Depth of Field (DOF)	167 µm @CoC 40 µm
Resolution (Object Side)	5.6 µm
Image Format (max.)	1/2 inch
Working F-Number	33.45
Numerical Aperture (NA)	0.06
Field of View (FOV)	1.6mm x 1.2mm @ 1/2
Telecentric Type	Object Side
Telecentricity	0.01 °
Optical Distortion (max.)	0.16 %
Mount Type	C-Mount

