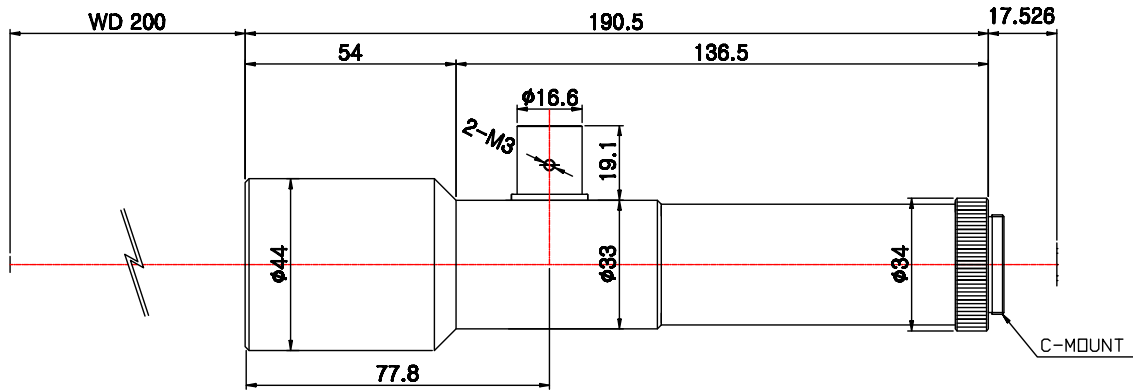


# TCST-30-200C



The Object Side Telecentric Lens TCST-30-200C is suitable for sensors with an image format of 1/2 inch.

## Technical Data

Art.Gr.	TEL
Magnification	3 X
Working Distance (WD)	200 mm
Depth of Field (DOF)	166 $\mu\text{m}$ @CoC 40 $\mu\text{m}$
Resolution (Object Side)	4.2 $\mu\text{m}$
Image Format (max.)	1/2 inch
Working F-Number	18.7
Numerical Aperture (NA)	0.08
Field of View (FOV)	2.1mm x 1.6mm @ 1/2
Telecentric Type	Object Side
Telecentricity	0.02 °
Optical Distortion (max.)	0.1 %
Mount Type	C-Mount

