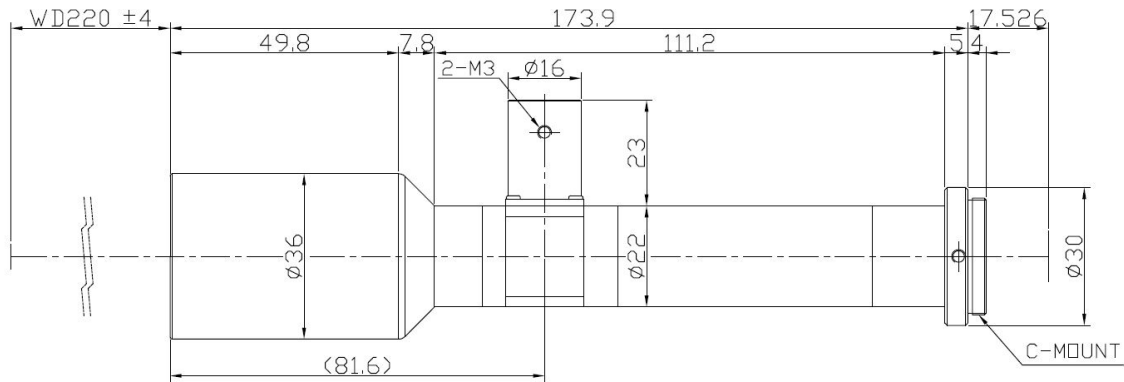


TCST-25-220C



The Object Side Telecentric Lens TCST-25-220C is suitable for sensors with an image format of 2/3 inch.

Technical Data

Art.Gr.	TEL
Magnification	2.5 X
Working Distance (WD)	220 mm
Depth of Field (DOF)	320 µm @CoC 40 µm
Resolution (Object Side)	6.71 µm
Image Format (max.)	2/3 inch
Working F-Number	25
Numerical Aperture (NA)	0.05
Field of View (FOV)	3.52mm x 2.64mm @ 2/3"
Telecentric Type	Object Side
Telecentricity	0.03 °
Optical Distortion (max.)	0.08 %
Mount Type	C-Mount

