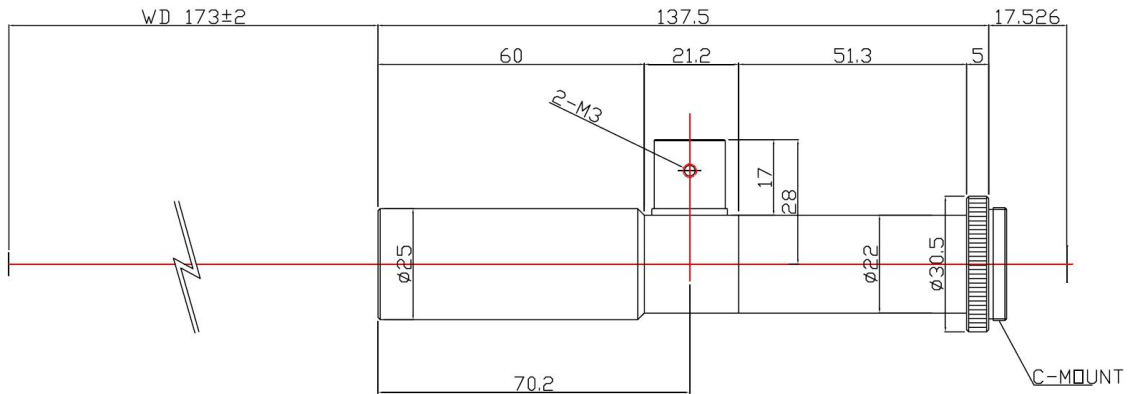


TCST-16-173C



The Object Side Telecentric Lens TCST-16-173C is suitable for sensors with an image format of 1/2 inch.

Technical Data

| | |
|---------------------------|-------------------|
| Art.Gr. | TEL |
| Magnification | 1.6 X |
| Working Distance (WD) | 173 mm |
| Depth of Field (DOF) | 834 µm @CoC 40 µm |
| Resolution (Object Side) | 11.2 µm |
| Image Format (max.) | 1/2 inch |
| Working F-Number | 26.7 |
| Numerical Aperture (NA) | 0.03 |
| Field of View (FOV) | 4mm x 3mm @ 1/2 |
| Telecentric Type | Object Side |
| Telecentricity | 0.04 ° |
| Optical Distortion (max.) | 0.18 % |
| Mount Type | C-Mount |

