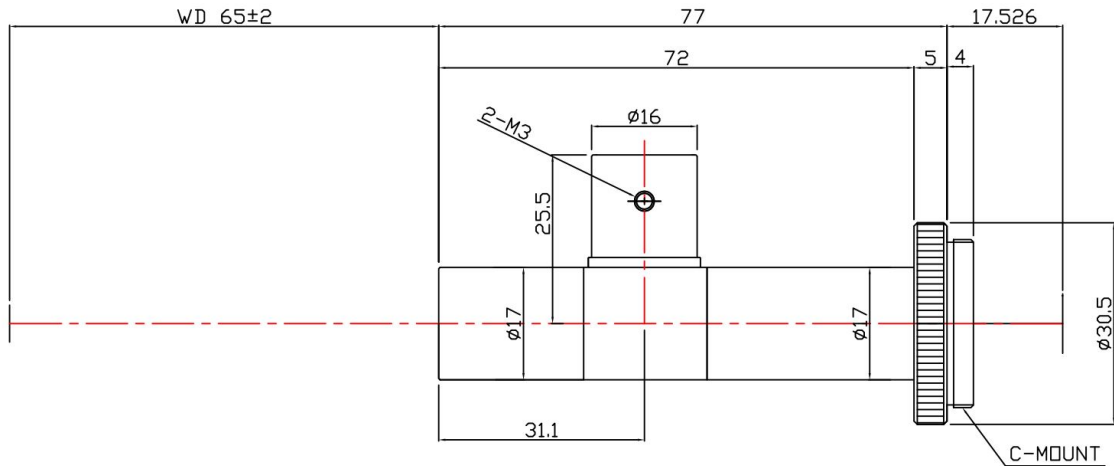


TCST-15-65C



The Object Side Telecentric Lens TCST-15-65C is suitable for sensors with an image format of 1/2 inch.

Technical Data

Art.Gr.	TEL
Magnification	1.5 X
Working Distance (WD)	65 mm
Depth of Field (DOF)	554 µm @CoC 40 µm
Resolution (Object Side)	7 µm
Image Format (max.)	1/2 inch
Working F-Number	15.6
Numerical Aperture (NA)	0.048
Field of View (FOV)	4.27mm x 3.2mm @ 1/2
Telecentric Type	Object Side
Telecentricity	0.06 °
Optical Distortion (max.)	0.05 %
Mount Type	C-Mount

