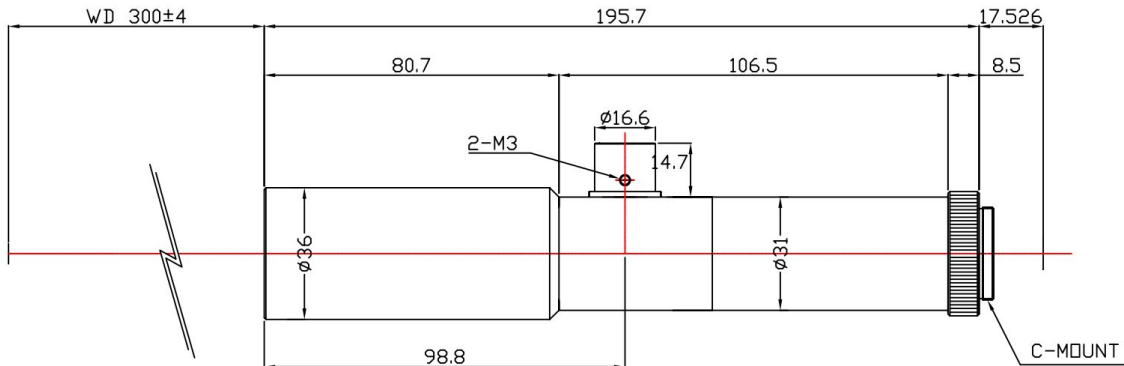


TCST-15-300C



The Object Side Telecentric Lens TCST-15-300C is suitable for sensors with an image format of 1/2 inch.

Technical Data

Art.Gr.	TEL
Magnification	1.5 X
Working Distance (WD)	300 mm
Depth of Field (DOF)	761 µm @CoC 40 µm
Resolution (Object Side)	9.6 µm
Image Format (max.)	1/2 inch
Working F-Number	21.4
Numerical Aperture (NA)	0.035
Field of View (FOV)	4.26mm x 3.2mm @ 1/2
Telecentric Type	Object Side
Telecentricity	0.02 °
Optical Distortion (max.)	0.13 %
Mount Type	C-Mount

