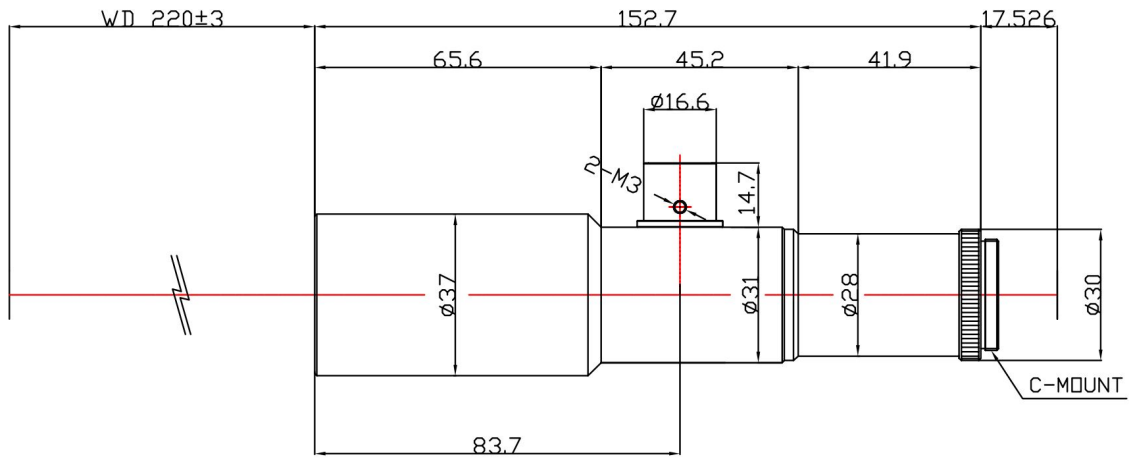


TCST-15-220-S12C



The Object Side Telecentric Lens TCST-15-220-S12C is suitable for sensors with an image format of 1/2 inch.

Technical Data

Art.Gr.	TEL
Magnification	1.5 X
Working Distance (WD)	220 mm
Depth of Field (DOF)	590 μ m @CoC 40 μ m
Resolution (Object Side)	7.45 μ m
Image Format (max.)	1/2 inch
Working F-Number	16.6
Numerical Aperture (NA)	0.045
Field of View (FOV)	4.26mm x 3.2mm @ 1/2
Telecentric Type	Object Side
Telecentricity	0.03 °
Optical Distortion (max.)	0.13 %
Mount Type	C-Mount

