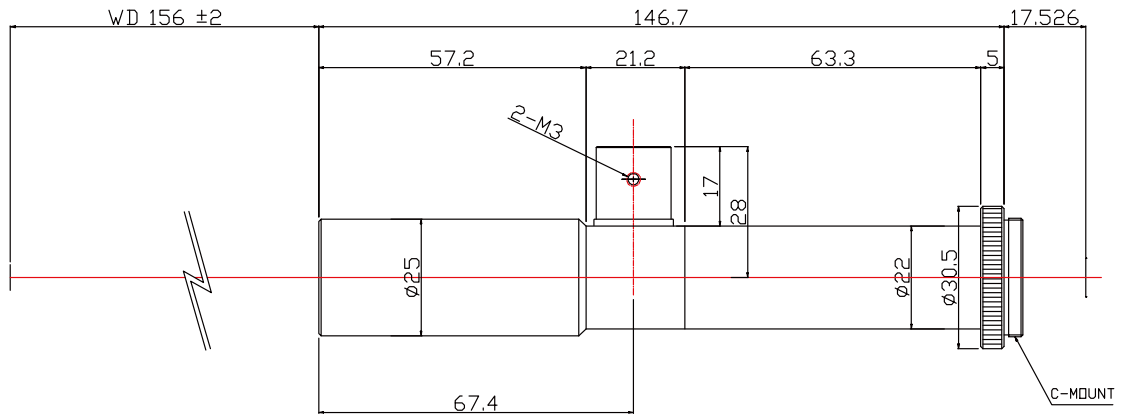


TCST-15-156C



The Object Side Telecentric Lens TCST-15-156C is suitable for sensors with an image format of 1/2 inch.

Technical Data

Magnification	1.5 X
Mount Type	C-Mount
Aperture (F)	19.7
Working Distance (WD)	156
Depth of Field (DOF)	700 µm
Resolution (Object Side)	8.83 µm
Numerical Aperture (NA)	0.038
Image Format (max.)	1/2 inch
Field of View (FOV)	3.2mm x 2.4mm@1/2" CCD
Telecentric Type	Object Side
Telecentricity	0.04 °
Optical Distortion (max.)	0.16 %
Special Feature	Standard

