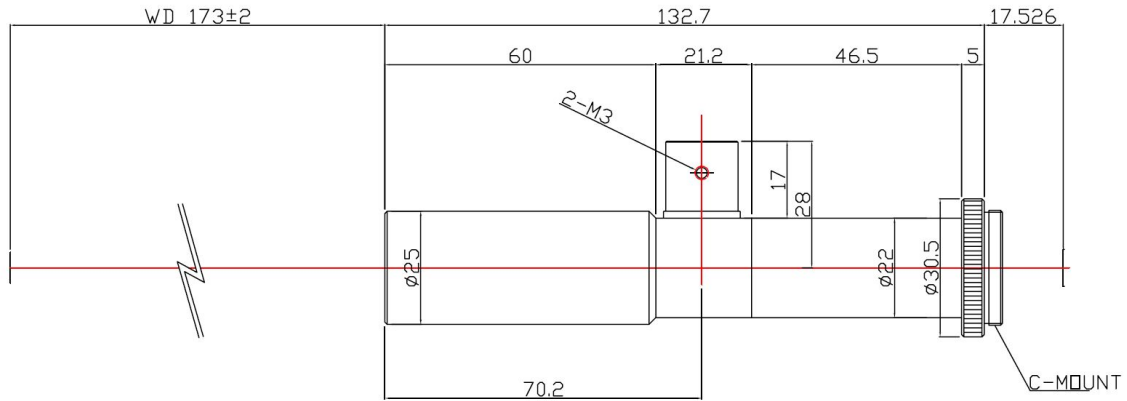


TCST-12-173C



The Object Side Telecentric Lens TCST-12-173C is suitable for sensors with an image format of 1/2 inch.

Technical Data

Art.Gr.	TEL
Magnification	1.2 X
Working Distance (WD)	173 mm
Depth of Field (DOF)	1100 μm @CoC 40 μm
Resolution (Object Side)	11.2 μm
Image Format (max.)	1/2 inch
Working F-Number	20
Numerical Aperture (NA)	0.03
Field of View (FOV)	5.3mm x 4.0mm @ 1/2
Telecentric Type	Object Side
Telecentricity	0.04 °
Optical Distortion (max.)	0.13 %
Mount Type	C-Mount

