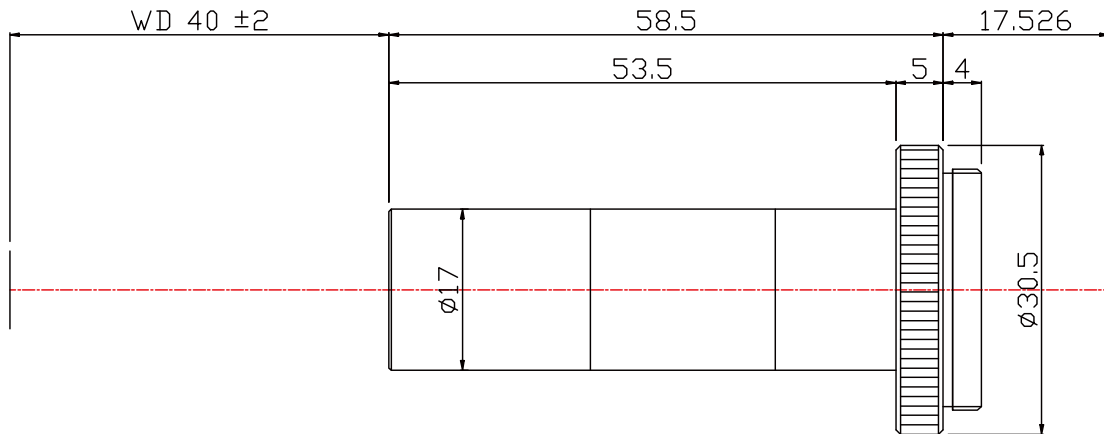


# TCST-10-40



The Object Side Telecentric Lens TCST-10-40 is suitable for sensors with an image format of 1/2 inch.

## Technical Data

Art.Gr.	TEL
Magnification	1 X
Working Distance (WD)	40 mm
Depth of Field (DOF)	740 µm @CoC 40 µm
Resolution (Object Side)	6.2 µm
Image Format (max.)	1/2 inch
Working F-Number	9.26
Numerical Aperture (NA)	0.054
Field of View (FOV)	6.4mm x 4.8mm @ 1/2"
Telecentric Type	Object Side
Telecentricity	0.03 °
Optical Distortion (max.)	0.08 %
Mount Type	C-Mount

