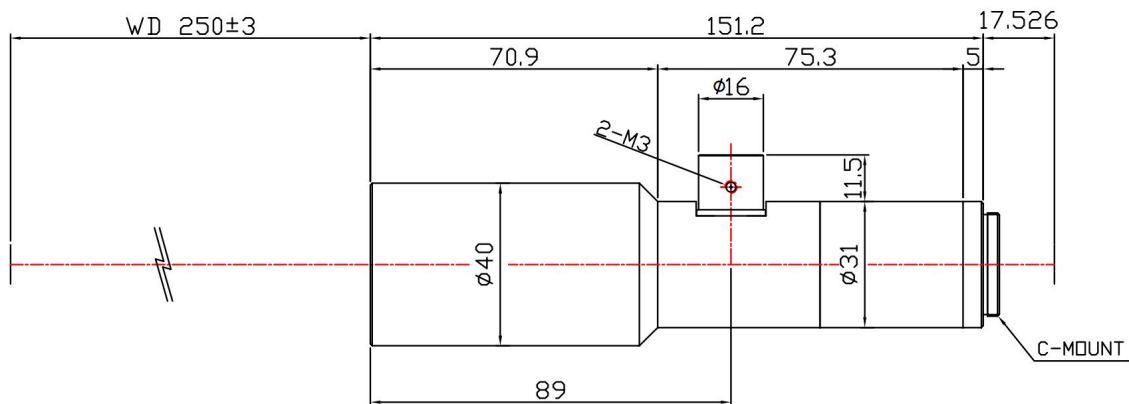


# TCST-10-250-S118C



The Object Side Telecentric Lens TCST-10-250-S118C is suitable for sensors with an image format of 1/1.8 inch.

## Technical Data

Magnification	1 X
Mount Type	C-Mount
Aperture (F)	11
Working Distance (WD)	250
Depth of Field (DOF)	484 $\mu\text{m}$
Resolution (Object Side)	7.45 $\mu\text{m}$
Numerical Aperture (NA)	0.045
Image Format (max.)	1/1.8 inch
Field of View (FOV)	6.78mm x 5.25mm @ 1/1.8" CCD
Telecentric Type	Object Side
Telecentricity	0.03 °
Optical Distortion (max.)	0.081 %
Special Feature	Standard

