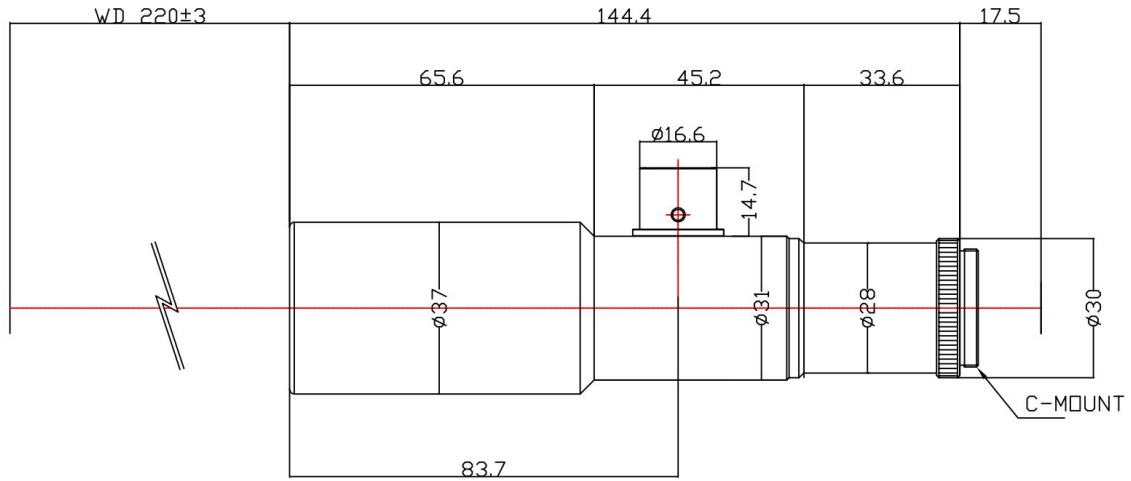


# TCST-10-220C



The Object Side Telecentric Lens TCST-10-220C is suitable for sensors with an image format of 2/3 inch.

## Technical Data

Art.Gr.	TEL
Magnification	1 X
Working Distance (WD)	220 mm
Depth of Field (DOF)	880 µm @CoC 40 µm
Resolution (Object Side)	7.4 µm
Image Format (max.)	2/3 inch
Working F-Number	11
Numerical Aperture (NA)	0.045
Field of View (FOV)	8.8mm x 6.6mm @ 2/3"
Telecentric Type	Object Side
Telecentricity	0.03 °
Optical Distortion (max.)	0.01 %
Mount Type	C-Mount

