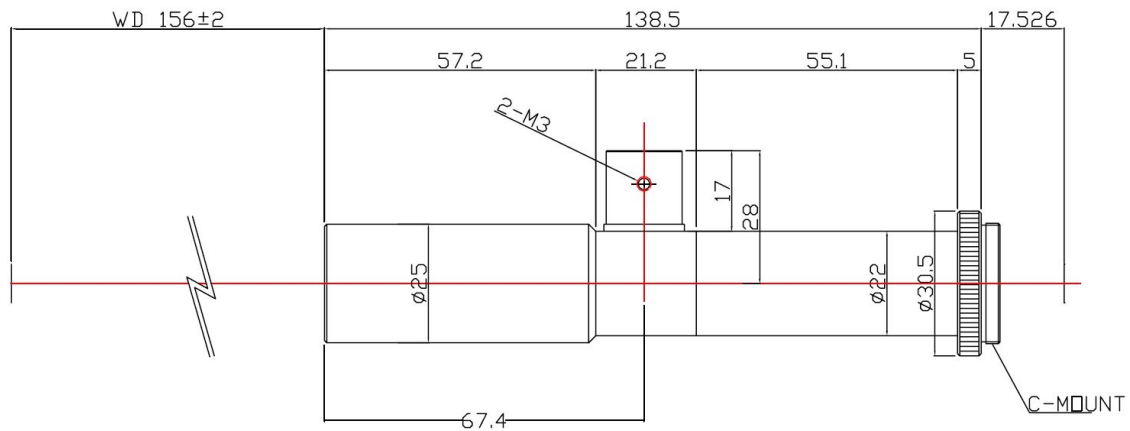


TCST-10-156C



The Object Side Telecentric Lens TCST-10-156C is suitable for sensors with an image format of 1/2 inch.

Technical Data

Art.Gr.	TEL
Magnification	1 X
Working Distance (WD)	156 mm
Depth of Field (DOF)	1000 μ m @CoC 40 μ m
Resolution (Object Side)	8.8 μ m
Image Format (max.)	1/2 inch
Working F-Number	13.2
Numerical Aperture (NA)	0.038
Field of View (FOV)	6.4mm x 4.8mm @ 1/2"
Telecentric Type	Object Side
Telecentricity	0.04 °
Optical Distortion (max.)	0.07 %
Mount Type	C-Mount

