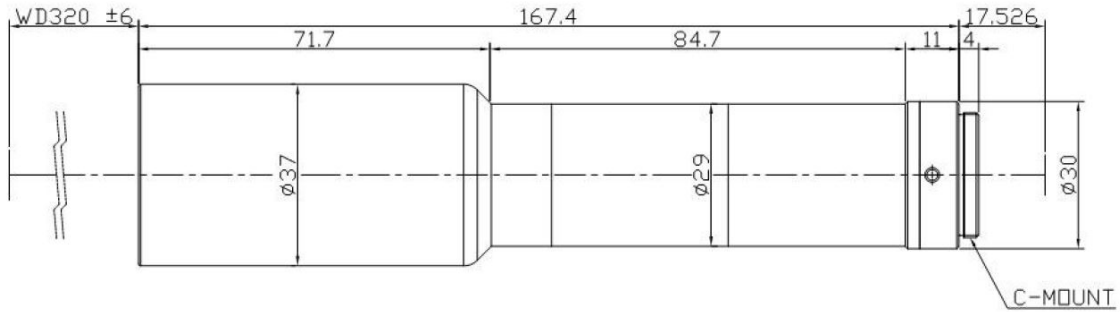


# TCST-08-320



The Object Side Telecentric Lens TCST-08-320 is suitable for sensors with an image format of 1/2 inch.

## Technical Data

Art.Gr.	TEL
Magnification	0.8 X
Working Distance (WD)	320 mm
Depth of Field (DOF)	1750 µm @CoC 40 µm
Resolution (Object Side)	12 µm
Image Format (max.)	1/2 inch
Working F-Number	14
Numerical Aperture (NA)	0.028
Field of View (FOV)	8mm x 6mm @ 1/2
Telecentric Type	Object Side
Telecentricity	0.03 °
Optical Distortion (max.)	0.03 %
Mount Type	C-Mount

