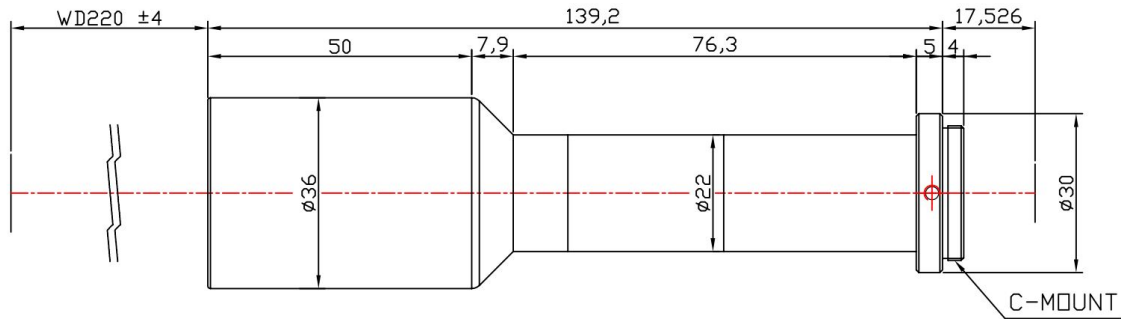


# TCST-075-220



The Object Side Telecentric Lens TCST-075-220 is suitable for sensors with an image format of 1/2 inch.

## Technical Data

|                           |                       |
|---------------------------|-----------------------|
| Art.Gr.                   | TEL                   |
| Magnification             | 0.75 X                |
| Working Distance (WD)     | 220 mm                |
| Depth of Field (DOF)      | 1400 µm @CoC 40 µm    |
| Resolution (Object Side)  | 9.06 µm               |
| Image Format (max.)       | 1/2 inch              |
| Working F-Number          | 10                    |
| Numerical Aperture (NA)   | 0.037                 |
| Field of View (FOV)       | 11.7mm x 8.8mm @ 2/3" |
| Telecentric Type          | Object Side           |
| Telecentricity            | 0.03 °                |
| Optical Distortion (max.) | 0.02 %                |
| Mount Type                | C-Mount               |

