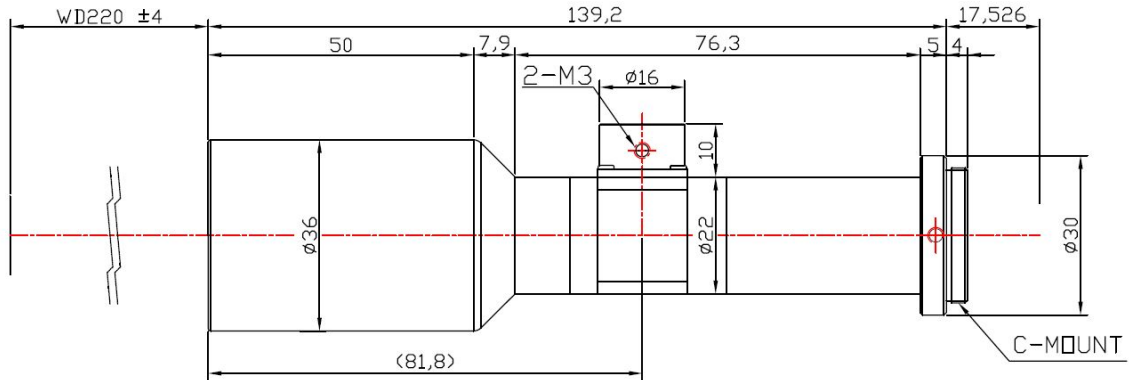


TCST-075-220-S23C



The Object Side Telecentric Lens TCST-075-220-S23C is suitable for sensors with an image format of 2/3 inch.

Technical Data

Art.Gr.	TEL
Magnification	0.75 X
Working Distance (WD)	220 mm
Depth of Field (DOF)	1400 µm @CoC 40 µm
Resolution (Object Side)	9.1 µm
Image Format (max.)	2/3 inch
Working F-Number	10
Numerical Aperture (NA)	0.037
Field of View (FOV)	11.7mm x 8.8mm @ 2/3
Telecentric Type	Object Side
Telecentricity	0.03 °
Optical Distortion (max.)	0.02 %
Mount Type	C-Mount

