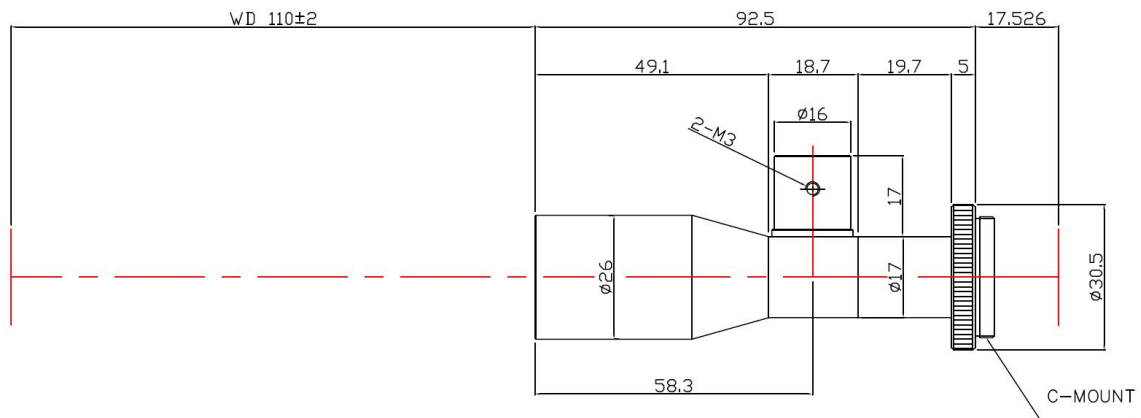


TCST-05-110C



The Object Side Telecentric Lens TCST-05-110C is suitable for sensors with an image format of 1/2 inch.

Technical Data

Art.Gr.	TEL
Magnification	0.5 X
Working Distance (WD)	110 mm
Depth of Field (DOF)	4800 µm @CoC 40 µm
Resolution (Object Side)	20.21 µm
Image Format (max.)	1/2 inch
Working F-Number	15
Numerical Aperture (NA)	0.0166
Field of View (FOV)	12.8mm x 9.6mm @ 1/2
Telecentric Type	Object Side
Telecentricity	0.03 °
Optical Distortion (max.)	0.04 %
Mount Type	C-Mount

