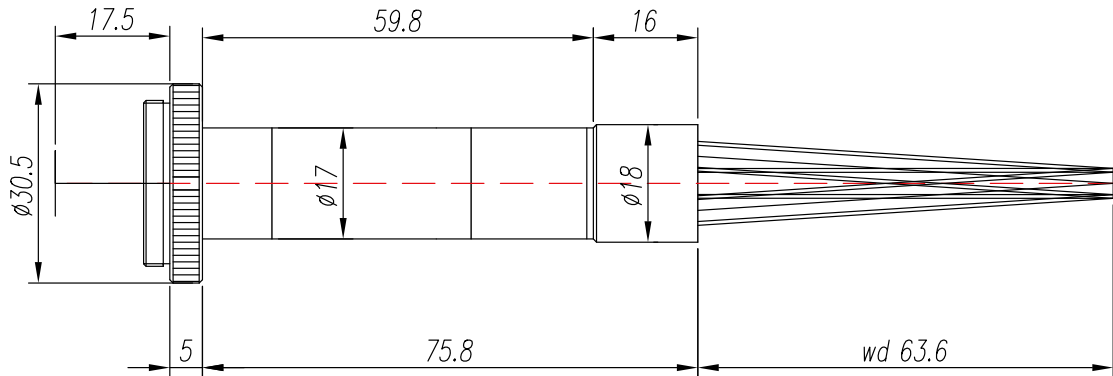


# TCHR-24-65



The Object Side Telecentric Lens TCHR-24-65 is suitable for sensors with an image format of 2/3 inch.

## Technical Data

Art.Gr.	TEL
Magnification	2.4 X
Working Distance (WD)	63.6 mm
Depth of Field (DOF)	239 $\mu\text{m}$ @CoC 40 $\mu\text{m}$
Resolution (Object Side)	4.8 $\mu\text{m}$
Image Format (max.)	2/3 inch
Working F-Number	17.2
Numerical Aperture (NA)	0.07
Field of View (FOV)	3.67mm x 2.75mm @ 2/3"
Telecentric Type	Object Side
Telecentricity	0.015 °
Optical Distortion (max.)	0.1 %
Mount Type	C-Mount

