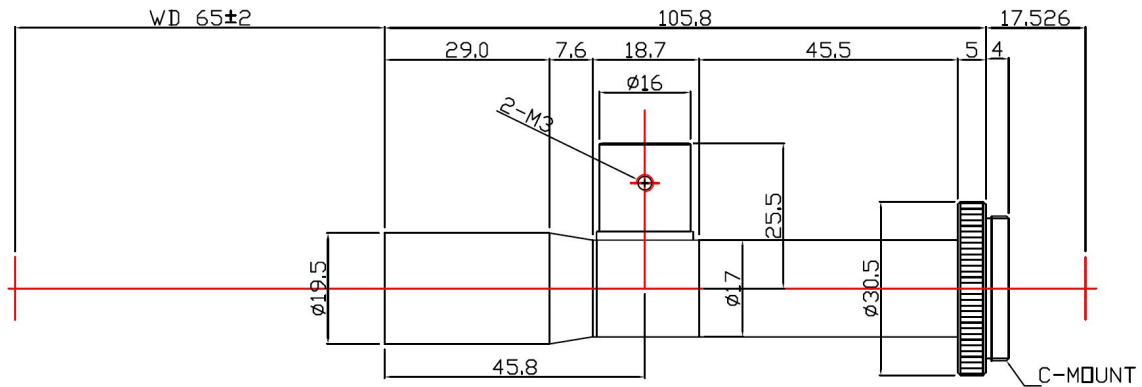


TCHR-15-65C



The Object Side Telecentric Lens TCHR-15-65C is suitable for sensors with an image format of 1/2 inch.

Technical Data

Art.Gr.	TEL
Magnification	1.5 X
Working Distance (WD)	65 mm
Depth of Field (DOF)	380 µm @CoC 40 µm
Resolution (Object Side)	4.8 µm
Image Format (max.)	1/2 inch
Working F-Number	10.7
Numerical Aperture (NA)	0.07
Field of View (FOV)	4.3mm x 3.2mm @ 1/2"
Telecentric Type	Object Side
Telecentricity	0.022 °
Optical Distortion (max.)	0.07 %
Mount Type	C-Mount

