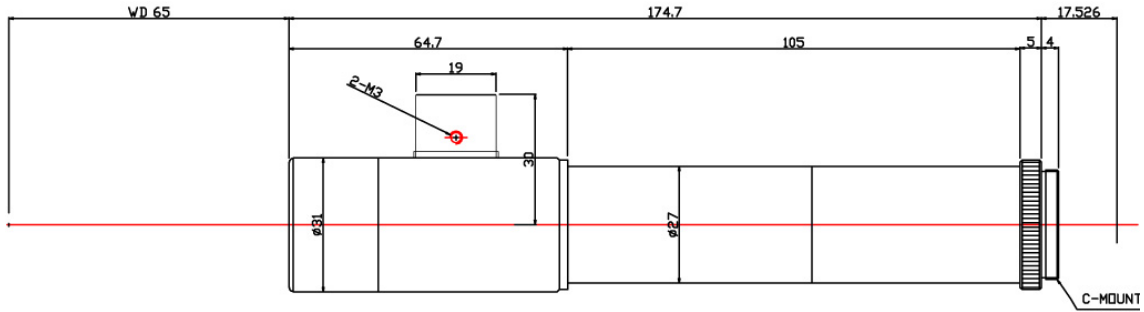


# TCHR-120-65C



The Object Side Telecentric Lens TCHR-120-65C is suitable for sensors with an image format of 1/2 inch.

## Technical Data

Art.Gr.	TEL
Magnification	12 X
Working Distance (WD)	65 mm
Depth of Field (DOF)	21 $\mu\text{m}$ @CoC 40 $\mu\text{m}$
Resolution (Object Side)	2.1 $\mu\text{m}$
Image Format (max.)	1/2 inch
Working F-Number	37.3
Numerical Aperture (NA)	0.161
Field of View (FOV)	0.53mm x 0.4mm @ 1/2
Telecentric Type	Object Side
Telecentricity	0.004 °
Optical Distortion (max.)	0.1 %
Mount Type	C-Mount

