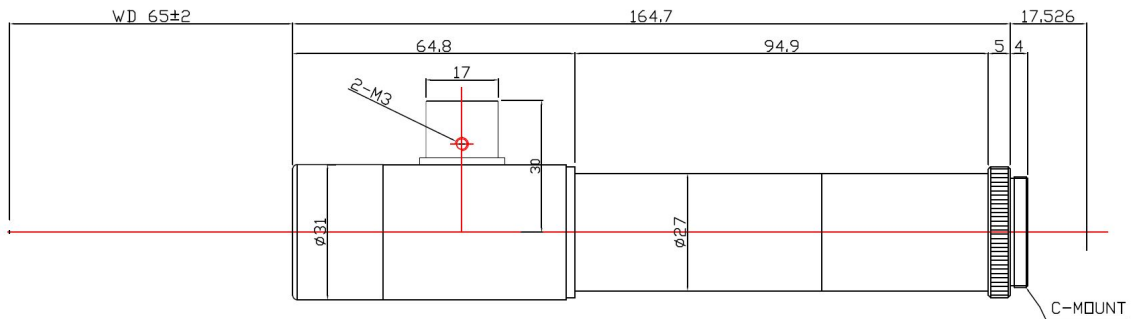


TCHR-100-65C



The Object Side Telecentric Lens TCHR-100-65C is suitable for sensors with an image format of 1/2 inch.

Technical Data

Art.Gr.	TEL
Magnification	10 X
Working Distance (WD)	65 mm
Depth of Field (DOF)	27 μm @CoC 40 μm
Resolution (Object Side)	2.2 μm
Image Format (max.)	1/2 inch
Working F-Number	33.3
Numerical Aperture (NA)	0.15
Field of View (FOV)	0.64mm x 0.48mm @ 1/2"
Telecentric Type	Object Side
Telecentricity	0.01 °
Optical Distortion (max.)	0.14 %
Mount Type	C-Mount

