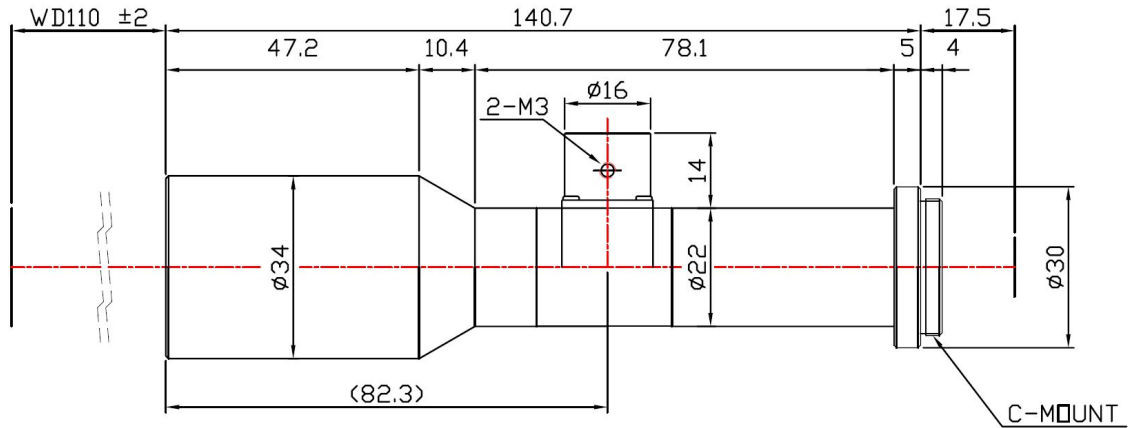


TCHR-05-110C



The Object Side Telecentric Lens TCHR-05-110C is suitable for sensors with an image format of 2/3 inch.

Technical Data

Art.Gr.	TEL
Magnification	0.5 X
Working Distance (WD)	110 mm
Depth of Field (DOF)	3500 µm @CoC 40 µm
Resolution (Object Side)	14.9 µm
Image Format (max.)	2/3 inch
Working F-Number	11.1
Numerical Aperture (NA)	0.0225
Field of View (FOV)	17.6mm x 13.2mm @ 2/3
Telecentric Type	Object Side
Telecentricity	0.02 °
Optical Distortion (max.)	0.15 %
Mount Type	C-Mount

