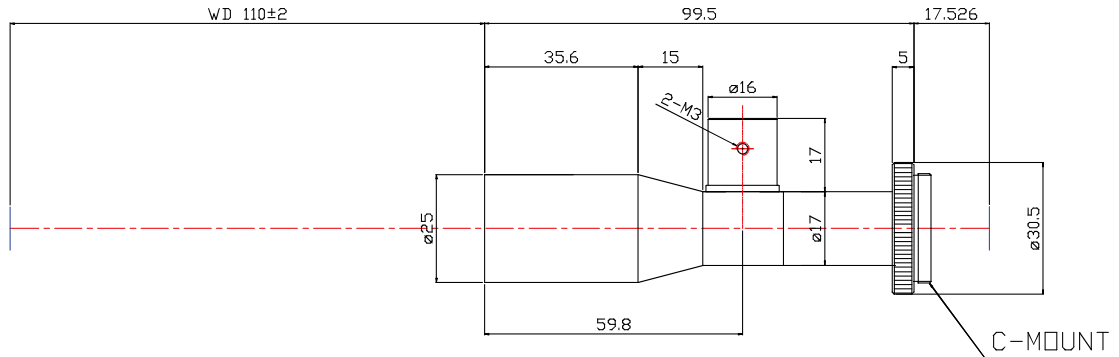


TCHR-05-110-S13C



The Object Side Telecentric Lens TCHR-05-110-S13C is suitable for sensors with an image format of 1/3 inch.

Technical Data

Art.Gr.	TEL
Magnification	0.5 X
Working Distance (WD)	110 mm
Depth of Field (DOF)	2600 μm @CoC 40 μm
Resolution (Object Side)	11.2 μm
Image Format (max.)	1/3 inch
Working F-Number	8.3
Numerical Aperture (NA)	0.03
Field of View (FOV)	9.6mm x 7.2mm @ 1/3"
Telecentric Type	Object Side
Telecentricity	0.03 °
Optical Distortion (max.)	0.05 %
Mount Type	C-Mount

