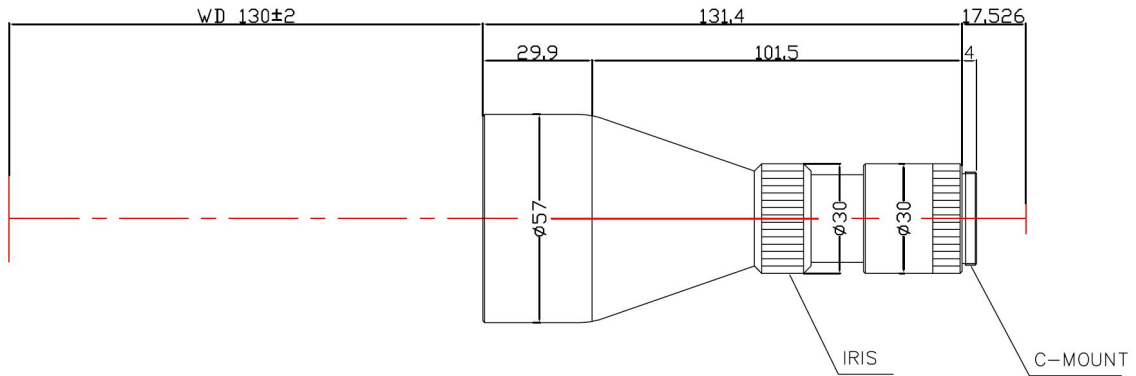


TCHR-035-130I



The Object Side Telecentric Lens TCHR-035-130I is suitable for sensors with an image format of 1/2 inch.

Technical Data

Art.Gr.	TEL
Magnification	0.35 X
Working Distance (WD)	130 mm
Depth of Field (DOF)	4.8 μm @CoC 40 μm
Resolution (Object Side)	14.1 μm
Image Format (max.)	1/2 inch
Working F-Number	7.3
Numerical Aperture (NA)	0.0238
Field of View (FOV)	18.3mm x 13.7mm @ 1/2"
Telecentric Type	Object Side
Telecentricity	0.035 °
Optical Distortion (max.)	0.08 %
Mount Type	C-Mount

