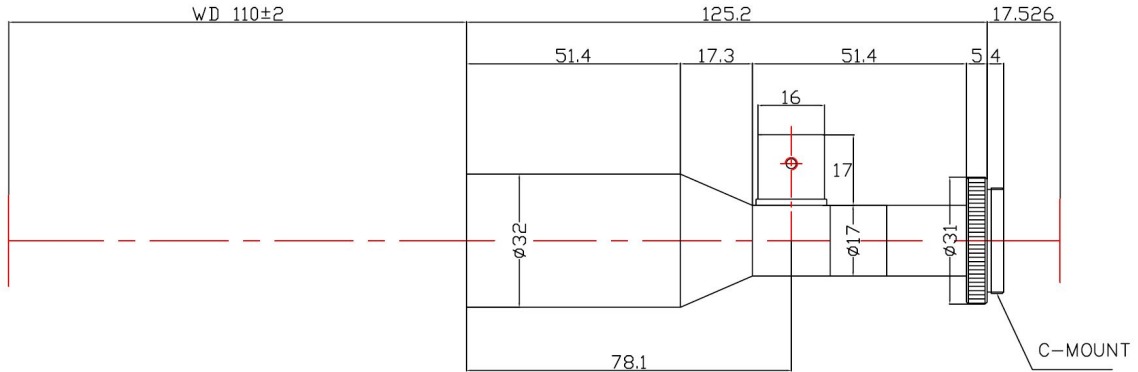


TCHR-035-110-S12C



The Object Side Telecentric Lens TCHR-035-110-S12C is suitable for sensors with an image format of 1/2 inch.

Technical Data

Art.Gr.	TEL
Magnification	0.35 X
Working Distance (WD)	110 mm
Depth of Field (DOF)	7.1 μm @CoC 40 μm
Resolution (Object Side)	21.1 μm
Image Format (max.)	1/2 inch
Working F-Number	11
Numerical Aperture (NA)	0.016
Field of View (FOV)	17.6mm x 12.8mm @ 1/2"
Telecentric Type	Object Side
Telecentricity	0.03 °
Optical Distortion (max.)	0.05 %
Mount Type	C-Mount

