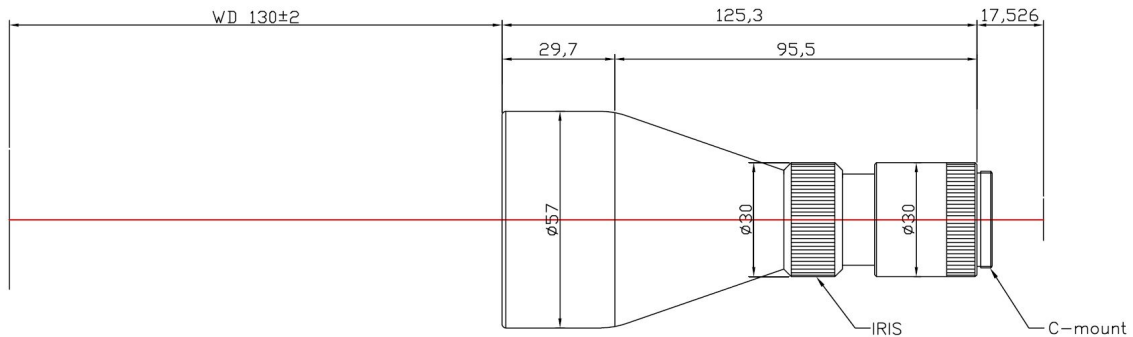


# TCHR-03-130I



The Object Side Telecentric Lens TCHR-03-130I is suitable for sensors with an image format of 2/3 inch.

## Technical Data

Art.Gr.	TEL
Magnification	0.3 X
Working Distance (WD)	130 mm
Depth of Field (DOF)	7 $\mu$ m @CoC 40 $\mu$ m
Resolution (Object Side)	18 $\mu$ m
Image Format (max.)	2/3 inch
Working F-Number	7.9
Numerical Aperture (NA)	0.019
Field of View (FOV)	29.3mm x 22.0mm @ 2/3"
Telecentric Type	Object Side
Telecentricity	0.04 °
Optical Distortion (max.)	0.08 %
Mount Type	C-Mount

