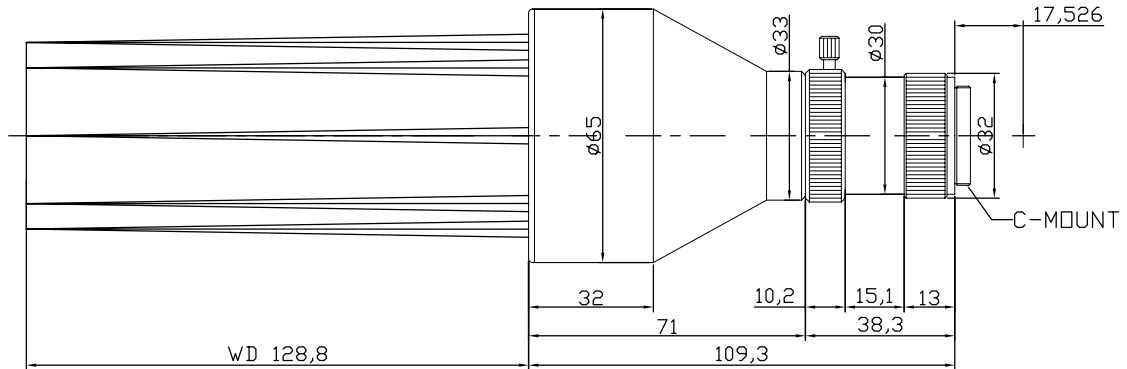


TCHR-023-130I



The Object Side Telecentric Lens TCHR-023-130I is suitable for sensors with an image format of 2/3 inch.

Technical Data

Art.Gr.	TEL
Magnification	0.23 X
Working Distance (WD)	130 mm
Depth of Field (DOF)	10700 μm @CoC 40 μm
Resolution (Object Side)	20 μm
Image Format (max.)	2/3 inch
Working F-Number	7.1
Numerical Aperture (NA)	0.016
Field of View (FOV)	38.3mm x 28.7mm @ 2/3"
Telecentric Type	Object Side
Telecentricity	0.01 °
Optical Distortion (max.)	0.13 %
Mount Type	C-Mount

