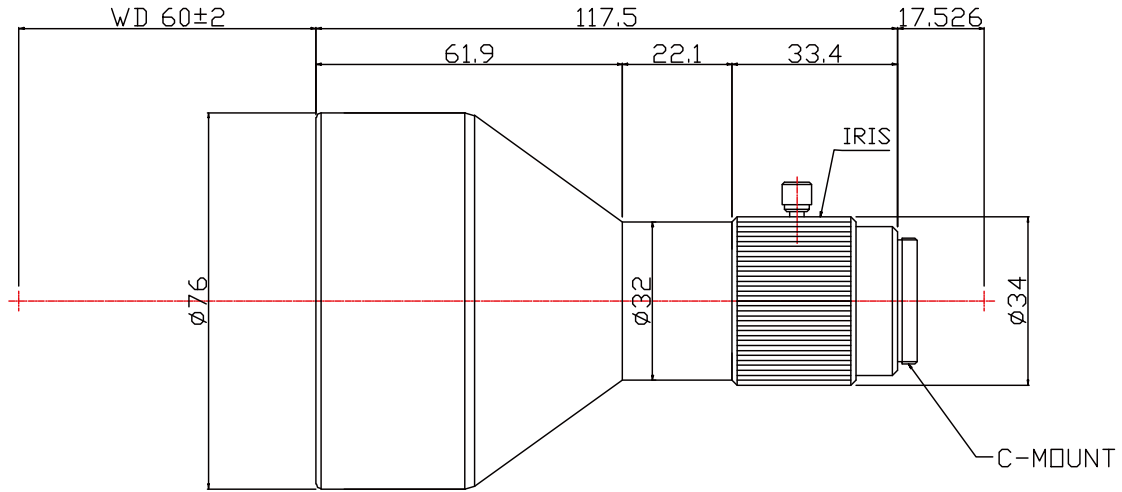


# TCHR-013-60I



The Object Side Telecentric Lens TCHR-013-60I is suitable for sensors with an image format of 1/2 inch.

## Technical Data

Art.Gr.	TEL
Magnification	0.13 X
Working Distance (WD)	60 mm
Depth of Field (DOF)	3170 $\mu\text{m}$ @CoC 40 $\mu\text{m}$
Resolution (Object Side)	34.6 $\mu\text{m}$
Image Format (max.)	1/2 inch
Working F-Number	6.7
Numerical Aperture (NA)	0.0097
Field of View (FOV)	49.23mm x 36.92mm @ 1/2"
Telecentric Type	Object Side
Telecentricity	0.03 °
Optical Distortion (max.)	0.08 %
Mount Type	C-Mount

