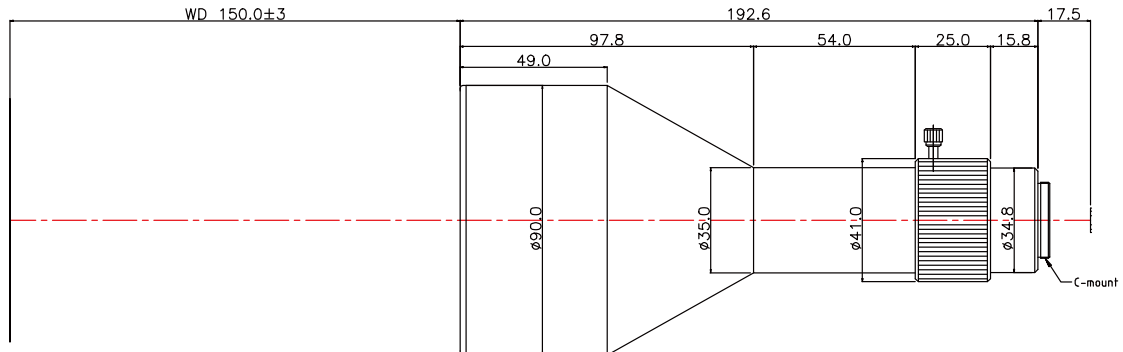


TCHR-01-150I



The Object Side Telecentric Lens TCHR-01-150I is suitable for sensors with an image format of 1/2 inch.

Technical Data

Art.Gr.	TEL
Magnification	0.1 X
Working Distance (WD)	150 mm
Depth of Field (DOF)	48000 μm @CoC 40 μm
Resolution (Object Side)	40.4 μm
Image Format (max.)	1/2 inch
Working F-Number	6
Numerical Aperture (NA)	0.0083
Field of View (FOV)	64mm x 48mm @ 1/2"
Telecentric Type	Object Side
Telecentricity	0.04 °
Optical Distortion (max.)	0.05 %
Mount Type	C-Mount

