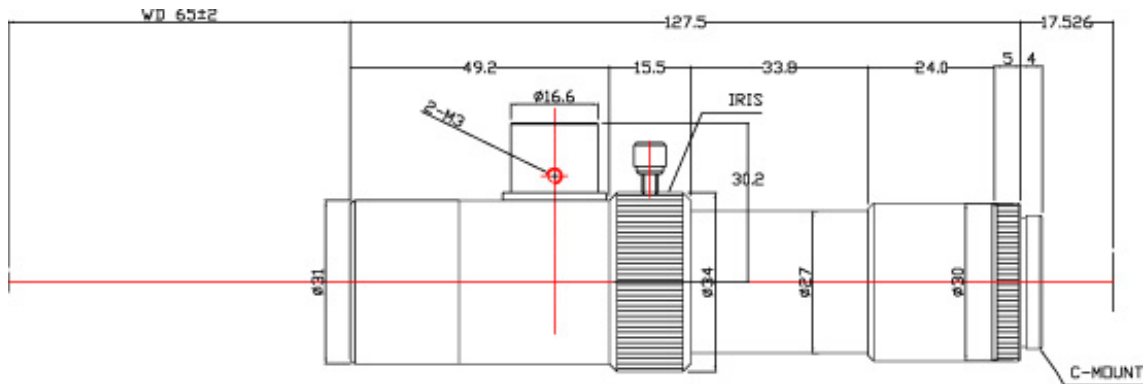


TC5M-30-65IC



The Object Side Telecentric Lens TC5M-30-65IC is suitable for sensors up to 5 megapixel and with an image format of 2/3 inch.

Technical Data

Art.Gr.	TEL
Magnification	3 X
Working Distance (WD)	65 mm
Depth of Field (DOF)	42.7 μm @CoC 20 μm
Resolution (Object Side)	2.15 μm
Image Format (max.)	2/3 inch
Megapixel (max.)	5 MP
Working F-Number	9.6
Numerical Aperture (NA)	0.156
Field of View (FOV)	2.8mm x 2.4mm @ 2/3"
Telecentric Type	Object Side
Telecentricity	0.02 °
Optical Distortion (max.)	0.05 %
Mount Type	C-Mount

