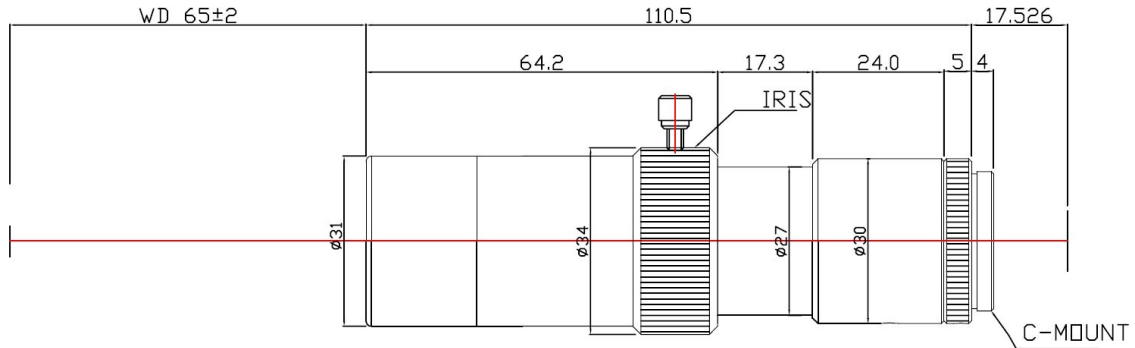


TC5M-20-65I



The Object Side Telecentric Lens TC5M-20-65I is suitable for sensors up to 5 megapixel and with an image format of 2/3 inch.

Technical Data

Art.Gr.	TEL
Magnification	2 X
Working Distance (WD)	65 mm
Depth of Field (DOF)	83 µm @CoC 40 µm
Resolution (Object Side)	2.8 µm
Image Format (max.)	2/3 inch
Megapixel (max.)	5 MP
Working F-Number	8.3
Numerical Aperture (NA)	0.12
Field of View (FOV)	4.2mm x 3.6mm @ 2/3
Telecentric Type	Object Side
Telecentricity	0.03 °
Optical Distortion (max.)	0.02 %
Mount Type	C-Mount

