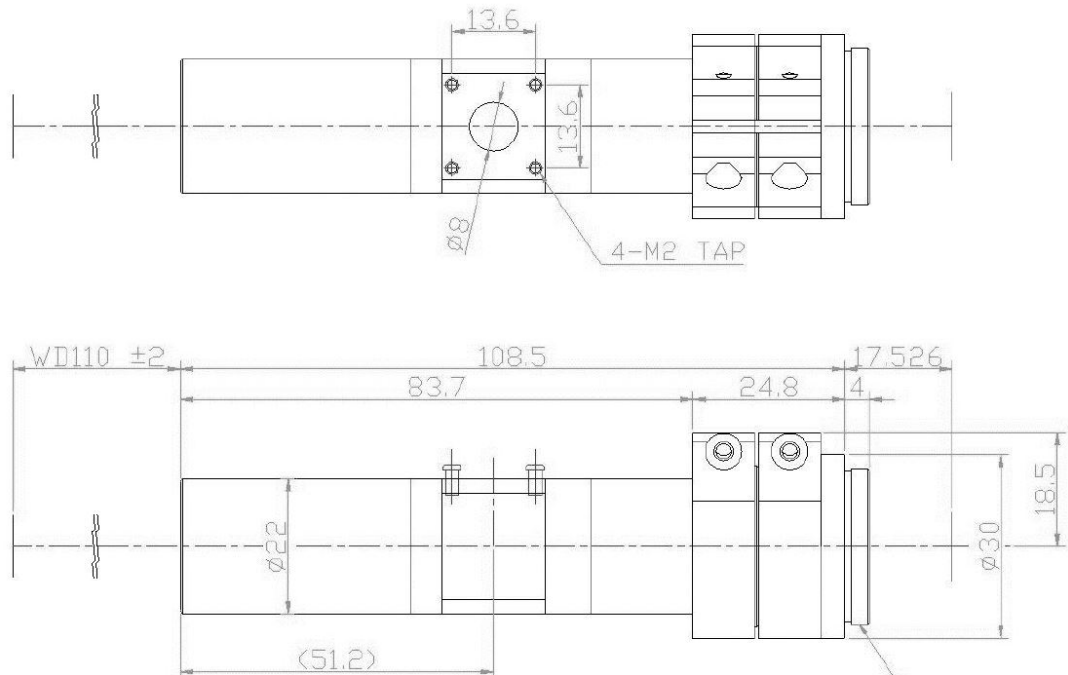


TC5M-11-110C



The Object Side Telecentric Lens TC5M-11-110C is suitable for sensors up to 5 megapixel and with an image format of 2/3".

Technical Data

Magnification	1.1 X
Mount Type	C-Mount
Aperture (F)	15.72
Working Distance (WD)	110
Depth of Field (DOF)	359 μ m
Circle of Confusion (CoC)	13.8 μ m
Resolution (Object Side)	9.59 μ m
Numerical Aperture (NA)	0.035
Image Format (max.)	2/3"
Megapixel	5 MP
Field of View (FOV)	7,53 mm x 6,57 mm@2/3"
Telecentric Type	Object Side
Telecentricity	0.04 °
Optical Distortion (max.)	0.03 %
Special Feature	Standard

