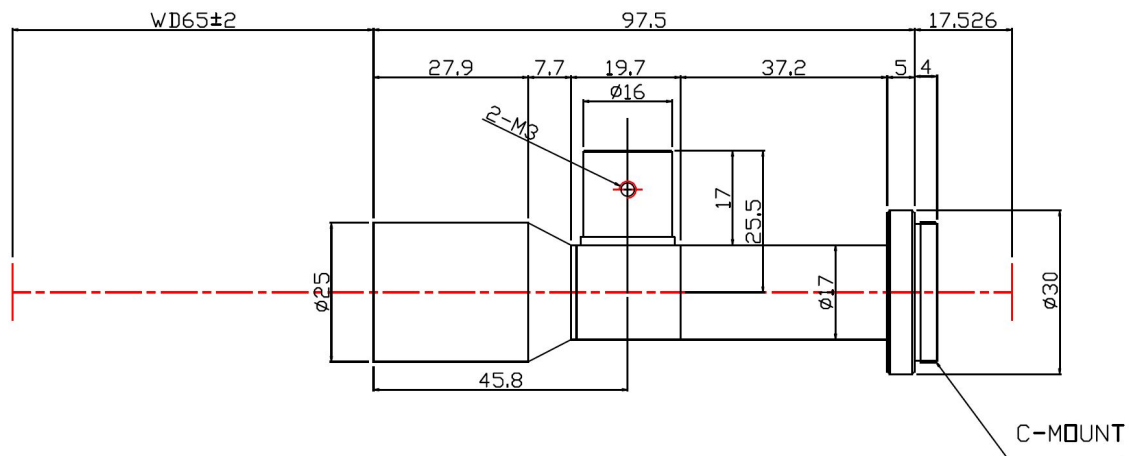


TC5M-10-65C



The Object Side Telecentric Lens TC5M-10-65C is suitable for sensors up to 5 megapixel and with an image format of 2/3 inch.

Technical Data

Art.Gr.	TEL
Magnification	1 X
Working Distance (WD)	65 mm
Depth of Field (DOF)	285.6 µm @CoC 20 µm
Resolution (Object Side)	4.8 µm
Image Format (max.)	2/3 inch
Megapixel (max.)	5 MP
Working F-Number	7.14
Numerical Aperture (NA)	0.07
Field of View (FOV)	8.47mm x 7.1mm @ 2/3"
Telecentric Type	Object Side
Telecentricity	0.022 °
Optical Distortion (max.)	0.16 %
Mount Type	C-Mount

