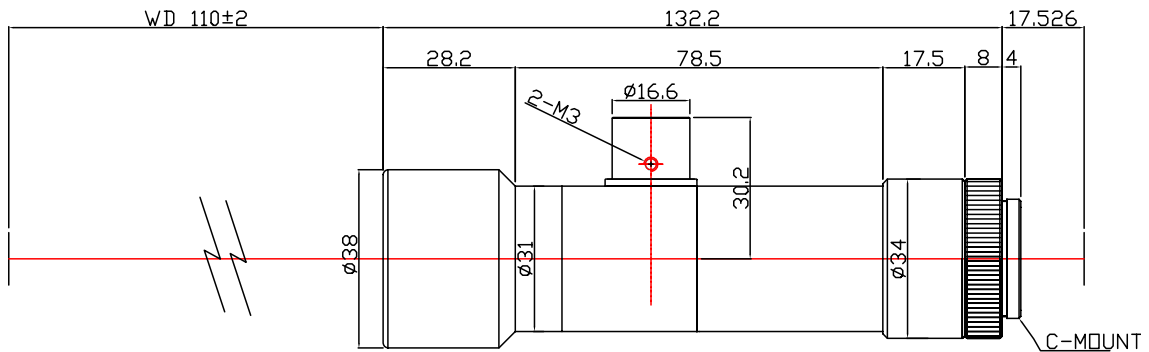


TC5M-10-110C



The Object Side Telecentric Lens TC5M-10-110C is suitable for sensors up to 5 megapixel and with an image format of 2/3 inch.

Technical Data

Art.Gr.	TEL
Magnification	1 X
Working Distance (WD)	110 mm
Depth of Field (DOF)	260 μ m @CoC 20 μ m
Resolution (Object Side)	4.36 μ m
Image Format (max.)	2/3 inch
Megapixel (max.)	5 MP
Working F-Number	6.5
Numerical Aperture (NA)	0.077
Field of View (FOV)	8.47mm x 7.1mm @ 2/3
Telecentric Type	Object Side
Telecentricity	0.025 °
Optical Distortion (max.)	0.01 %
Mount Type	C-Mount

