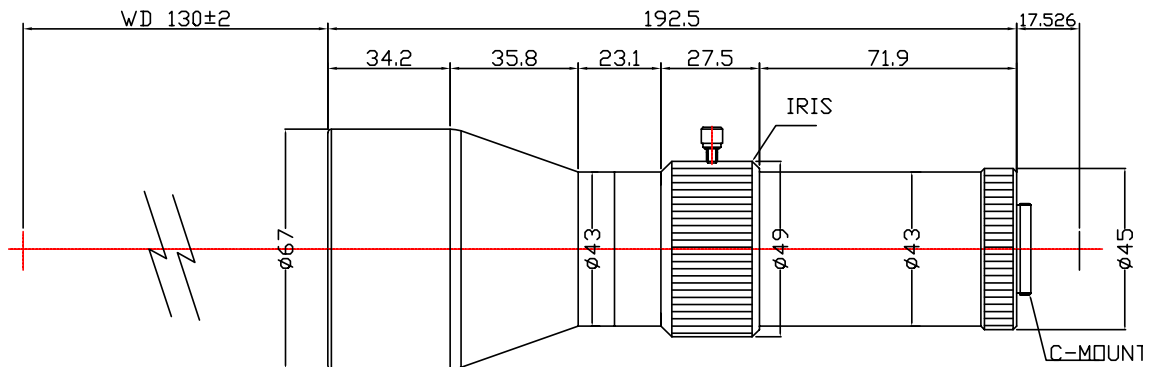


TC5M-07-130I



The Object Side Telecentric Lens TC5M-07-130I is suitable for sensors up to 5 megapixel and with an image format of 2/3 inch.

Technical Data

| | |
|---------------------------|---|
| Art.Gr. | TEL |
| Magnification | 0.7 X |
| Working Distance (WD) | 130 mm |
| Depth of Field (DOF) | 449 μm @CoC 20 μm |
| Resolution (Object Side) | 5.33 μm |
| Image Format (max.) | 2/3 inch |
| Megapixel (max.) | 5 MP |
| Working F-Number | 5.5 |
| Numerical Aperture (NA) | 0.063 |
| Field of View (FOV) | 12.1mm x 10.1mm @ 2/3" |
| Telecentric Type | Object Side |
| Telecentricity | 0.03 ° |
| Optical Distortion (max.) | 0.03 % |
| Mount Type | C-Mount |

