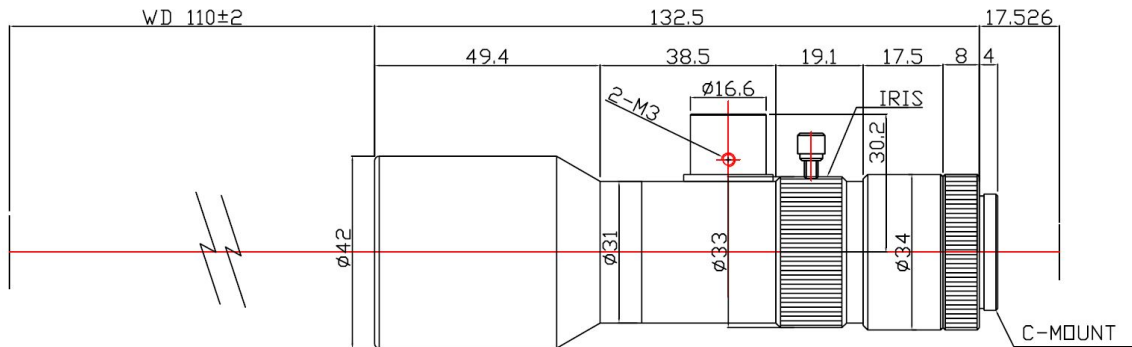


# TC5M-05-110IC



The Object Side Telecentric Lens TC5M-05-110IC is suitable for sensors up to 5 megapixel and with an image format of 2/3 inch.

## Technical Data

Art.Gr.	TEL
Magnification	0.5 X
Working Distance (WD)	110 mm
Depth of Field (DOF)	861 µm @CoC 20 µm
Resolution (Object Side)	7.2 µm
Image Format (max.)	2/3 inch
Megapixel (max.)	5 MP
Working F-Number	5.38
Numerical Aperture (NA)	0.0465
Field of View (FOV)	16.9mm x 14.2mm @ 2/3"
Telecentric Type	Object Side
Telecentricity	0.02 °
Optical Distortion (max.)	0.02 %
Mount Type	C-Mount

